



Exterior
Luminaires
Finalist



Description

Plaza 20 & 30 are the new ACDC IP66 dimmable surface-mount architectural uplighters. The form of the luminaire is clean and simple, yet the lighting performance is outstanding, offering lumen packages equivalent to 20 and 35 Watt Metal halide.

Plaza is designed to provide a suitable alternative to the metal halide traditional floodlights that are on the market, both in terms of performance and flexibility but offering the benefits of LED technology, and the range of accessories offers the designer the ultimate in project flexibility. They include a cowl, snoot, barn doors, wall arm bracket, barn doors, ground spike, louvre &

coloured glass accessory front, whilst each fitting offers a lockable bracket with angle increments to assist with accurate on site focussing.

Plaza utilises ACDCs specialist thermal cooling mechanism to divert the heat away from the junction point within the LED ensuring the product delivers at its 50,000 hour lifetime, at 70% lumen maintenance. The on board dimmable driver allows the lighting specifier to set scenes of light for external schemes, whilst the broad ranges of ultra-efficient optics are also available with a choice of 12°, 16°, 30°, 64° & 12° x 40°

Key Benefits

- Lumen package equivalent to 20 & 35 Watt Metal Halide
- Ideal for façade and reveal illumination
- 2 sizes, Plaza 20 & 35 equivalent to 20 & 35 Watt metal halide
- Long LED life @ 50,000 hours to 70% lumen maintenance
- Part L compliant with high efficacy
- Colour rendering in excess of 90 CRI

Key Features

- Choice of optics @ 12°, 16°, 30°, 64°, 12° x 40°
- Dimmable 1-10 Volt onboard driver (10-100%)
- High quality die cast aluminium housing
- Accepts a wide range of retro fit accessories including cowl, snoot, wall arm bracket, barn doors, ground spike, louvre & coloured glass accessory front
- Built in thermal protection

ACDC LED Engine Plaza						
CCT	2700		3000		4200	
Fitting	Plaza 20	Plaza 35	Plaza 20	Plaza 35	Plaza 20	Plaza 35
Source	XPG					
LED QTY	8	15	8	15	8	15
Luminaire Lumens	1047	1963	1120	2101	1193	2238
Efficacy	54		57.8		61.6	
CRI	>85				>85	
Lifetime	50,000					
Beam Angle	12°, 16°, 30°, 64°, 14x40°					
IP Rating	IP66					

Note1 - Figures stated include optical losses (secondary lenses), thermal losses (25°C Ambient temp after thermal stabilisation), and onboard driver losses. Note2 - Typical Figures ** All figures pending photometric testing verification.

Lighting configurations



IP option



Façade



Display

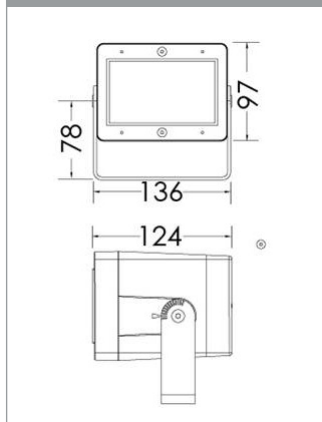


Garden

All ACDC products are dual binned to guarantee colour consistency



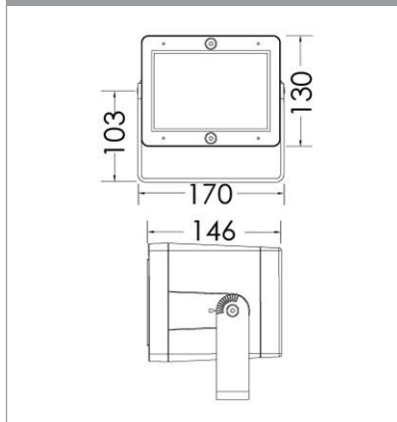
Plaza 20



- IP66 surface mount architectural LED wall wash
- 20 Watt LED downlight @ 20 Watt metal halide output
- Simple, compact minimalist design
- White, black, grey & RAL finish available
- Optic options
12°, 16°, 30°, 64°, 12° x 40°
- Designed to accept a broad range of retro fit accessories



Plaza 35



- IP66 surface mount architectural LED wall wash
- 35 Watt LED downlight @ 35 Watt metal halide output
- Simple, compact minimalist design
- White, black, grey & RAL finish available
- Optic options 12°, 16°, 30°, 64°, 12° x 40°
- Designed to accept a broad range of retro fit accessories

Part Code

Accessories

No accessories	-
Cowl	COL
Snoot	SNT
Louvre	LVR
Protection grill	PRG
Garden spike	GAS
Wall bracket	WAB
Coloured glass	COG
Barn doors	BAD

Control

Dimmable (1-10v)	DIM
Non-dimmable	NON

Finish

White	WHI
Black	BLK
Grey (RAL9006)	GRY
RAL	RAL

Optics

12	12R
16	16R
30	30R
64	64R
12x40	12x40R

Colour Temperature

2700	27
3000	30
4200	42

Light Engine

Small	SML
Large	LRG

ACDC1185/LRG/30/12R/GRY/DIM/COL